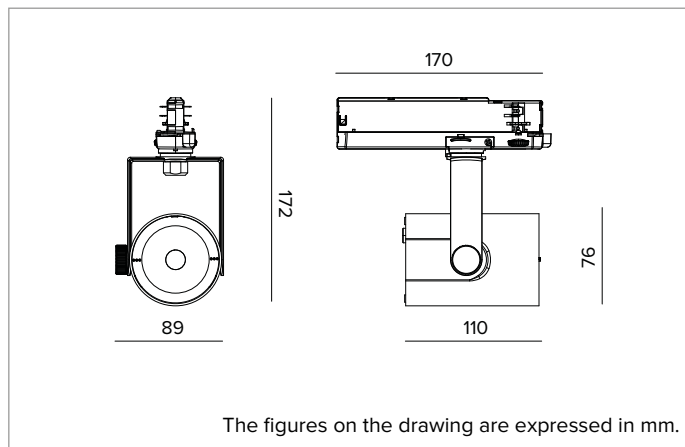


T035FLL930ELDB | RAY 75

Professional adjustable LED projector



		3000K	H(m)	D(m)	Emax(lx)	
		Ra90		31°		
		Fixture Power	18W	1	0.56	5495
		Source Flux	2078lm	2	1.12	1374
		Fixture Flux	1765lm	3	1.68	611
		Efficacy	98lm/W	4	2.24	343
TS1923	Imax=2644cd/klm	Imax	5495cd	5	2.80	220



SOURCE

High efficiency Chip on Board LED Ra90. Ra97 on request.

Energy efficiency class: D

Nominal power: 16W

Nominal flux: 2078lm

Colour rendering index: 90

Rf: 92

Rg: 101

CCT nominal: 3000K

Lifetime (L80/B10): >50000h tq +25°C

ILLUMINOTECHNICAL CHARACTERISTICS

Optical grade PMMA TIR lens. Interchangeable lenses available as accessories (excluding the Narrow Spot optic).

Optic: LENS

Beam angles: FL

Optical efficiency: 85%

Fixture flux: 1765lm

Luminous efficacy: 98lm/W

Photobiological safety: Compliant with RG1 low risk group

MECHANICAL CHARACTERISTICS

Painted die-cast aluminium body. Black painted polycarbonate front ring. Adjustable from 0° to -90° on the vertical plane and 359° on the horizontal plane. Mechanical beam locking system on the vertical plane and friction beam locking system on the horizontal plane. The centre of gravity always remains in axis with the track regardless of the aiming.

Colour and finish: Deep black

Dimensions: 75

Weight: 0.53Kg

Degree of protection: IP20

ELECTRICAL CHARACTERISTICS

ON-OFF electronic driver integrated into the track adapter.

Fixture Power: 18W

Power supply: 220-240Vac 50/60Hz

Insulation Class: CLASS 2

Type of driver / Control: ON-OFF

Driver included: YES

Class F: YES

Ambient temperature: 0°C / +25°C

INSTALLATION

Electrified track mounting. Optical accessories that can be installed with a support ring are available.

NOTES

110-277Vac version available on request.

WARRANTY

5 years.

WARNING

Luminaire designed for disposal/recycling at end-of-life. Replaceable (LED only) light source by a professional. Replaceable control gear by a professional.

Due to the technological evolution of the electronic components, the data provided may be updated, and as such, confirmation must be requested during the order process.

Luminous flux and power supply have +/-10% tolerances with respect to the indicated value. tq +25°C (CIE 121).

We reserve the right to make technical changes.

Targetti Sankey S.r.l.
Via Pratese, 164
50145 Firenze - Italy
Tel: +39 055 37911
targetti.com
targetti@targetti.com

CCIAA Firenze
Share Capital:
€ 500.000,00
VAT N. (IT):
01537660480
R.E.A: FI-275656

TARGETTI

T035FLL930ELDB | RAY 75

Professional adjustable LED projector

Accessories

Screen



Ø mm	Code
50	1T4325

Black painted anodized diffusive aluminium asymmetric screen.
Complete with blade light filter.
Ideal for a Wall Washer effect.
To be combined with spot and flood optics.
For RAY 75 versions with lens.

Grid



Ø mm	Code
50	1T4322

Anti-glare louver.
Black painted metal honeycomb structure.
Complete with holographic diffusion filter.
For RAY 75 versions with lens.

Filter



Ø mm	Code
50	1T4721

PMMA holographic filter with blade effect to ovalize the light beam; more evident when combined with spot and flood optics.
For RAY 75 versions with lens.

Optic



Ø mm	Optic	Code
50	SP 19°	A056SPL
50	FL 24°	A056MFL
50	FL 31°	A056FLL

Interchangeable optical grade PMMA lenses.
Available in Spot and Flood beams.
The accessory is not compatible with RAY 75 NSL versions.

Bracket



Colour	Code
○	A058PW
●	A058DB

Rigid support bracket for projectors with Eurostandard Plus track attachment.
For compatibility and use please refer to the assembly instructions for the projectors.
For installation of Ray 75 projectors on wall vertical tracks.

Due to the technological evolution of the electronic components, the data provided may be updated, and as such, confirmation must be requested during the order process.
Luminous flux and power supply have +/-10% tolerances with respect to the indicated value. tq +25°C (CIE 121).

We reserve the right to make technical changes.

Targetti Sankey S.r.l.
Via Pratese, 164
50145 Firenze - Italy
Tel: +39 055 37911
targetti.com
targetti@targetti.com

CCIAA Firenze
Share Capital:
€ 500.000,00
VAT N. (IT):
01537660480
R.E.A.: FI-275656

TARGETTI